


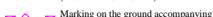
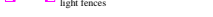
SAFETY LEGEND:

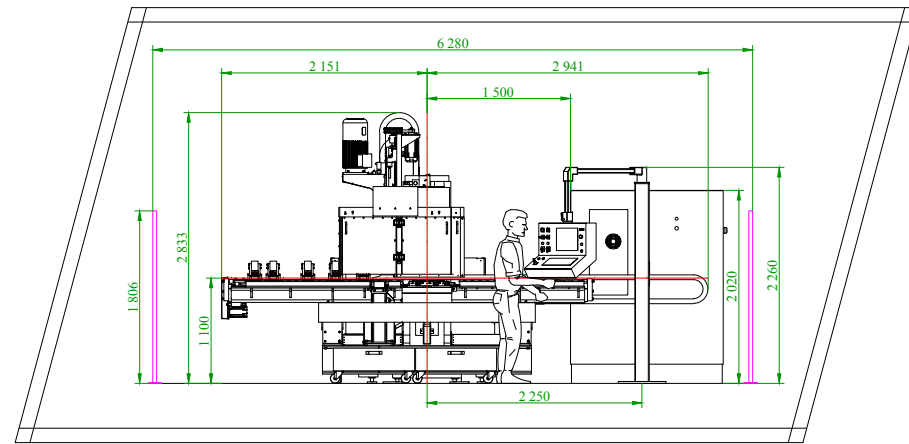
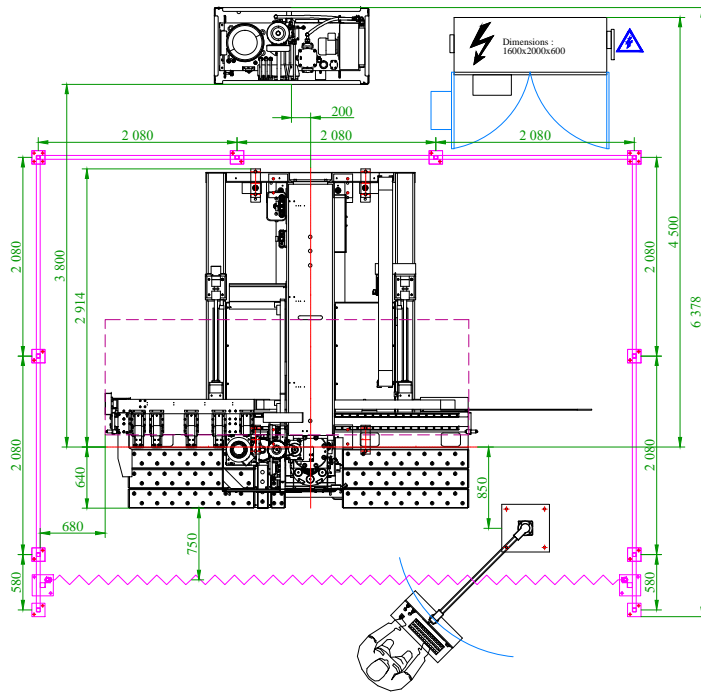
VERNET BEHRINGER SUPPLY:

-  SAFETY FENCE Height 1800 mm (Mesh size 40 x 40 mm).
-  Safety fence KICKSTAND
-  DOOR 1080 mm Height 1800 mm WITH SAFETY CONTACT
-  LIGHT FENCE Height 400-900 mm.

Total length of safety fences supplied by Vernet Behringer: 15.720 M

CUSTOMER SUPPLY:

-  SAFETY FENCE Height 1800 mm (Mesh size 40 x 40 mm).
-  Marking on the ground accompanying light fences
-  Marking on the ground or other safety device



PG 116 P FRONT VIEW

REMARKS OR ANNOTATIONS :




GROUND FASTENING

INPUT BENCH, LATERAL SYSTEMS, MACHINE BLOCK, OUTPUT BENCH, AS WELL AS SAFETY DEVICES WILL BE FASTENED TO THE GROUND THANKS TO MECHANICAL DOWEL PINS "HILTI"
REF: SKA M16/20 x 125 TOTAL QUANTITY : 50.
REF: SKA M16/20 x 145 TOTAL QUANTITY : 0.
- TO BE SUPPLIED BY CUSTOMER -

GROUND QUALITY

GROUND FLATNESS TOLERANCE ± 15 MM, IN CASE OF UPPER DIFFERENCE, CONTACT US
CONCRETE MINI THICKNESS : 250 MM.
CONCRETE QUALITY :

SUPPLY

-  PNEUMATIC INLET
1m³/Hour pressure 6 bars or
6m³/h slack air at normal atmospheric pressure, length out of the ground : 2m.
-  ELECTRIC INLET
400V 3 phases + earth
65 kVA, wire out of the ground : 2m.
Customer is liable for line protection:
-  - Overload / Overcurrent / Differential

PG 116 P CNC

DESIGN INITIATIVE CAN BE MODIFIED WITHOUT NOTICE

Scale: 1/40 
CUSTOMER N° :

WORKING LEVEL : 1100 mm
USABLE LENGTH : 1250 MM x 750 MM
OUTPUT BENCH :



ZAE "Capnord" - BP37 423
13 rue de la Brot - F 21074 DIJON
Tel : +33 (0) 380 732 163
Fax : +33 (0) 380 721 534
www.vernet-behringer.com

LAYOUT

DRAWN BY : P. F.

DATE :	VERSION :
26-02-15	A